

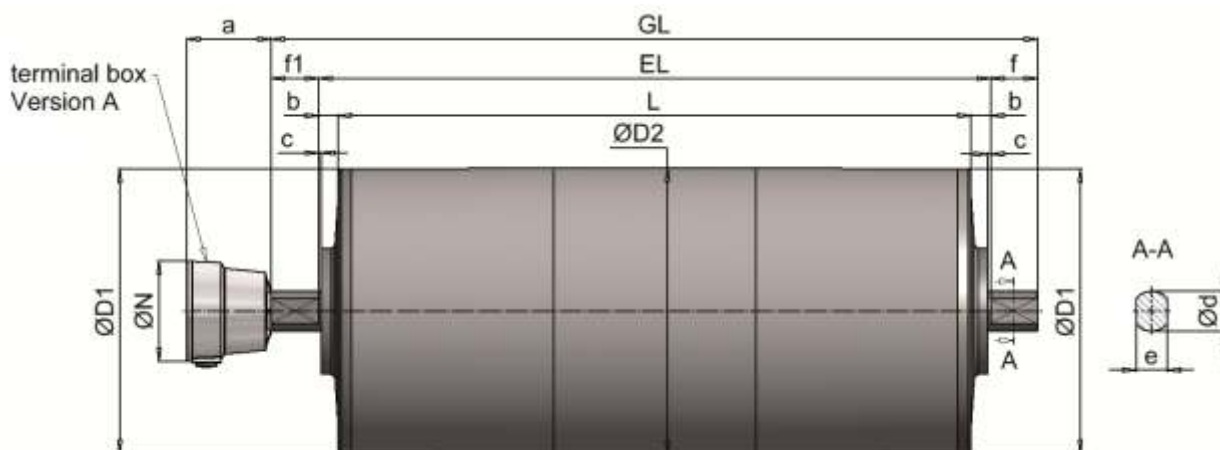
# AxisTM321 Motorised Drum

## General Features

- Diameter Ø321mm
- High duty helical gear unit with steel tothing
- Standard length from 520mm to 1600mm
- Three-phase motors
- 1.5 Kilowatt to 7.5 Kilowatt input power
- Insulation class F
- Mild steel or stainless steel construction
- Angular, straight cable gland or terminal box connection
- Lubricated with synthetic oil
- Special options available
- Quality European manufacture



## TM321 Dimensions



\*Angular cable gland  
Version B



\*straight cable gland  
Version D



dimensions in mm

DRUM MOTOR											STANDARD IP66		OPTIONAL IP67	
Size	Type	ØD1	ØD2**	a	Ø N	c	Ø d	e	f	f1	b	EL	b	EL
321	TM 321.0	318	321	95	112	3	40	30	55	55	20	L + 40	45	L + 90
321	TM 321.1	318	321			3	45	35	53	53	22	L + 44	43	L + 86
GUIDE DRUM														
321	UT 321.0	318	321			3	40	30	55		20	L + 40	45	L + 90
321	UT 321.1	318	321			3	35	35	53		22	L + 44	43	L + 86

\* With 1m cable

\*\* Diameter with cylindrical drum design

# AxisTM321 Motorised Drum

## TM321 Performance Data

Type	POWER	BELT SPEED	ROTATION SPEED	BELT PULL	TORQUE	POWER INPUT AT 400V / 50Hz	DRUM LENGTH	WEIGHT
		v	n2	F	T2		L min.	L=600mm
	[kW]	[m/s]	[1/min]	[N]	[Nm]		[A]	[mm]
TM321.0	1,50 4-pole	0,48	29	3098	497	3,20	520	95
		0,56	33	2702	434			
		0,71	42	2109	338			
		0,89	53	1685	270			
		1,11	66	1356	218			
		1,27	76	1177	189			
		1,74	104	861	138			
		2,00	119	751	120			
		2,34	139	641	103			
TM321.1	2,20 4-pole	0,39	23	5622	902	4,80	550	120
		0,48	28	4593	737			
TM321.0		0,70	42	3148	505			100
		0,87	52	2516	404			
		1,09	65	2025	325			
		1,25	75	1756	282			
		1,71	102	1285	206			
		1,96	117	1121	180			
	2,30	137	957	154				
TM321.1	3,00 4-pole	0,60	36	4986	800	6,60	550	125
		0,74	44	4070	653			
TM321.0		0,84	50	3564	572			105
		1,09	65	2751	442			
		1,26	75	2387	383			
		1,72	102	1746	280			
		1,97	117	1523	244			
TM321.1	4,00 4-pole	0,73	44	5465	877	9,00	550	130
		1,08	64	3694	593			
TM321.0		1,33	79	3019	484			110
		1,66	99	2411	387			
		2,03	121	1968	316			
TM321.1	5,50 4-pole	1,04	62	5282	848	11,50	680	140
		1,28	76	4312	692			
		1,65	98	3324	533			
		2,04	121	2697	433			
		2,68	159	2054	330			
		3,28	195	1677	269			
TM321.1	7,50 4-pole	1,65	98	4532	727	15,50	680	150
		2,04	121	3678	590			
		2,68	159	2801	450			
		3,28	195	2287	367			

- Alternative performance data and speeds on request
- Indication of weight incl. oil filling (ready for operating)
- Additional weight: approx. 6 kg for 100mm add. length
- With brake mounting L min. dimension raises up 130mm

# AxisTM321 Design & Options

## Standard Configuration

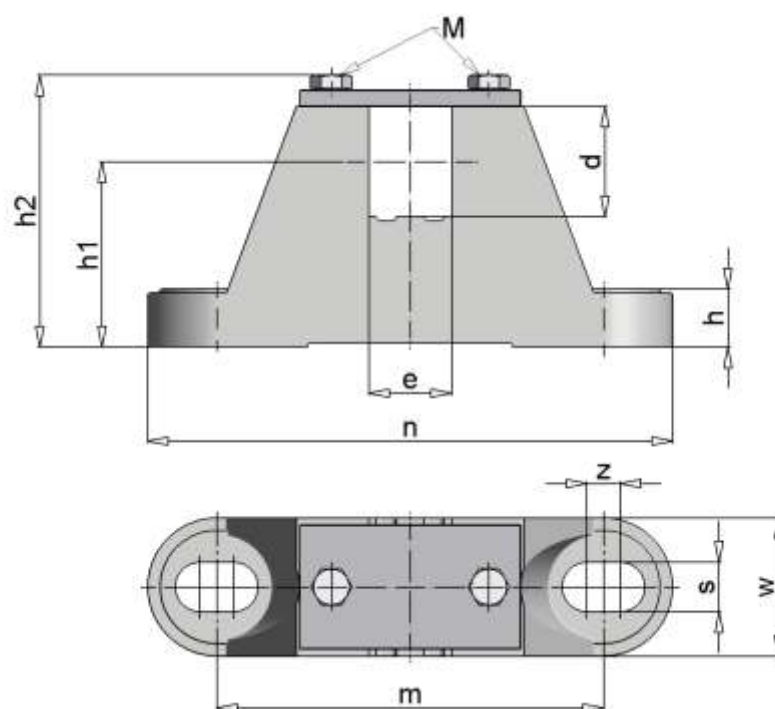
- Crowned shell, mild steel with rust protection paint
- Bearing covers made of cast iron
- Shafts made of mild steel with rust protection paint
- Helical gear unit with steel toothing (quiet)
- IP66 protection rating
- Terminal box
- Colour RAL 2004

## Options

- Internal brake
- Angular cable gland (with 1m cable)
- Straight cable gland (with 1m cable)
- Mechanical Backstop
- Sprocket / toothed belt disc
- Cylindrical drum shell, rubber coated, zinc plated (customised)
- Stainless steel design
- Thermal overload protection
- IP66/67 Protection
- Suitable for frequency converter use
- Terminal box design in stainless steel
- Vertical mounting
- Food-safe lubricant

Alternative custom designs also available - please enquire

## TM321 Clamping Bearing



dimensions in mm

DRUM TYPE	CLAMPING BEARING	d	e	h	h1	h2	m	n	s	w	z	M	MATERIAL	Kg ca. kg
TM/UT 321.0	EL40/30 B	40	30	21	67	102,5	140	190	18	50	12	M8	Cast Iron	2,8
TM/UT 321.1	EL45/35	45	35	21	67	105	140	190	18	50	12	M8		2,8