

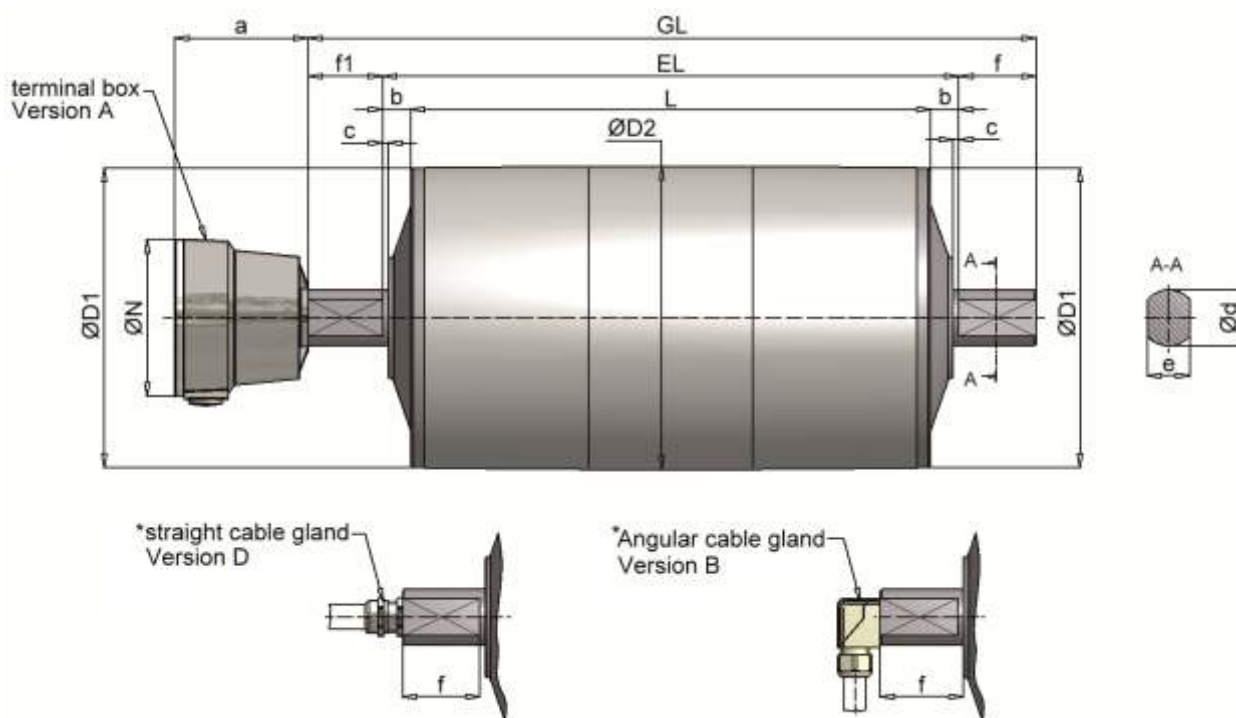
# AxisTM216 Motorised Drum

## General Features

- Diameter Ø216mm
- High duty helical gear unit with steel toothing
- Standard length from 400mm to 1350mm
- Three-phase motor
- 370 Watt to 3000 Watt input power
- Insulation class F
- Mild steel or stainless steel construction
- Lubricated with synthetic oil
- Straight or angular gland or terminal box connection
- Special options available



## TM216 Dimensions



dimensions in mm

DRUM MOTOR											STANDARD IP65		OPTIONAL IP66		OPTIONAL IP67	
Size	Type	ØD1*	ØD2**	a	ØN	c	Ød	e	f	f1	b	EL	b	EL	b	EL
216	TM 216.0	213,5	216	95	112	3	40	30	45	45			20	L + 40	<i>on request</i>	
216	TM 216.1	213,5	216			3	40	30	55	55	20	L + 40	20	L + 40	37	L + 74
GUIDE DRUM																
216	UT 216.0	213,5	216			3	40	30	45				20	L + 40	<i>on request</i>	
216	UT 216.1	213,5	216			3	40	30	55		20	L + 40	20	L + 40	37	L + 74

\* With 1m cable

\*\* Diameter with cylindrical drum design

# AxisTM216 Motorised Drum

## TM216 Performance Data

Type	POWER	BELT SPEED	ROTATION SPEED	BELT PULL	TORQUE	POWER INPUT AT 400V / 50Hz	DRUM LENGTH	WEIGHT
		v	n2	F	T2		L min.	L=500mm
	[kW]	[m/s]	[1/min]	[N]	[Nm]		[mm]	[kg]
TM216.0	0,37 8-pole	0,25	22	1460	158	1,50	400	50
		0,31	27	1202	130			
		0,37	33	1005	108			
		0,44	39	849	92			
		0,51	45	723	78			
		0,60	53	619	67			
		0,71	63	521	56			
		0,86	76	429	46			
		1,03	91	359	39			
		1,22	108	303	33			
		1,43	127	258	28			
1,67	148	221	24					
TM216.0	0,75 6-pole	0,33	29	2251	243	2,20	400	50
		0,40	36	1854	200			
		0,48	43	1549	167			
		0,57	51	1309	141			
		0,67	59	1115	120			
		0,79	69	954	103			
		0,93	82	804	87			
		1,13	100	662	71			
		1,36	120	553	60			
		1,60	142	468	51			
		1,88	167	398	43			
2,20	195	341	37					
TM216.1	1,50 4-pole	0,33	29	4604	497	3,20	420	57,0
		0,37	33	4016	434			
		0,48	42	3134	338			
		0,60	53	2504	270			
		0,86	76	1749	189			
		1,17	104	1279	138			
		1,34	119	1116	120			
		1,72	152	871	94			
		2,16	191	696	75			
TM216.1	2,20 4-pole	0,47	42	4679	505	4,80	420	59,0
		0,59	52	3738	404			
		0,84	75	2610	282			
		1,15	102	1909	206			
		1,32	117	1665	180			
		1,69	150	1300	140			
TM216.1	3,00 4-pole	0,85	75	3547	383	6,60	450	59,0
		1,16	102	2594	280			
		1,33	117	2263	244			
		1,70	150	1766	191			
		2,13	188	1411	152			

- alternative performance data and speeds on request
- indication of weight incl. oil filling (ready for operating)
- additional weight: approx. 5kg for 100mm add. length
- with brake mounting L min. dimension raises up 100mm

# AxisTM216 Design & Options

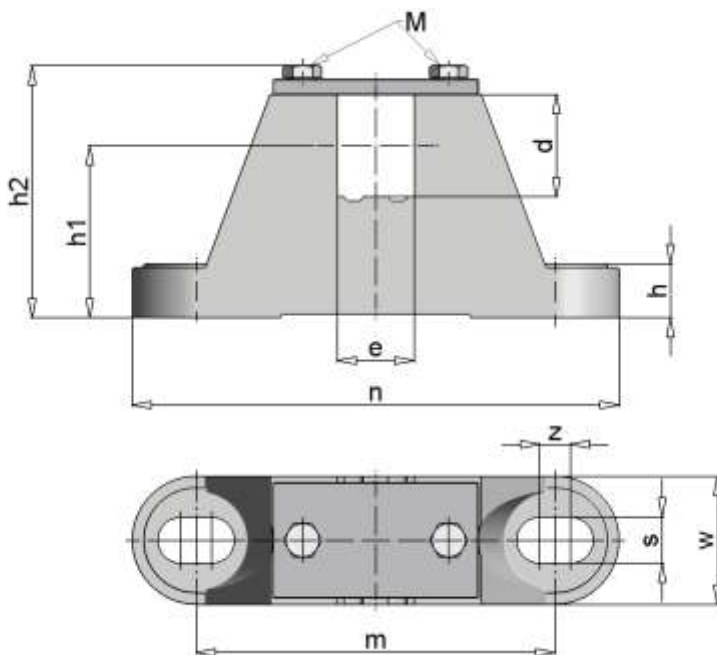
## Standard Configuration

- Crowned shell, mild steel with rust protection paint
- Bearing covers made of cast iron
- Shafts made of mild steel with rust protection paint
- Helical gear unit with steel toothing (quiet)
- IP65 Protection rating
- Terminal box

## Options

- Internal brake
  - Angular cable gland (with 1m cable)
  - Straight cable gland with 1m cable
  - Mechanical Backstop
  - Sprocket / toothed belt disc
  - Sensor bearing unit (rotary encoder)
  - Cylindrical drum shell, coated, zinc plated (customised)
  - Stainless steel design
  - Thermal overload protection
  - IP67 Protection
  - Suitable for frequency converter use
  - Terminal box design in stainless steel
  - Vertical mounting
  - Food-safe lubricant
- Alternative custom designs also available - please enquire.

## TM216 Clamping Bearing



dimensions in mm

DRUM TYPE	CLAMPING BEARING	d	e	h	h1	h2	m	n	s	w	z	M	MATERIAL	ca. kg
TM/UT 216.0	EL40/30 A	40	30	20	47	76	110	160	14	40	10	M8	Cast iron	1,5
TM/UT 216.1	EL40/30 B	40	30	21	67	102,5	140	190	18	50	12	M8		2,8