

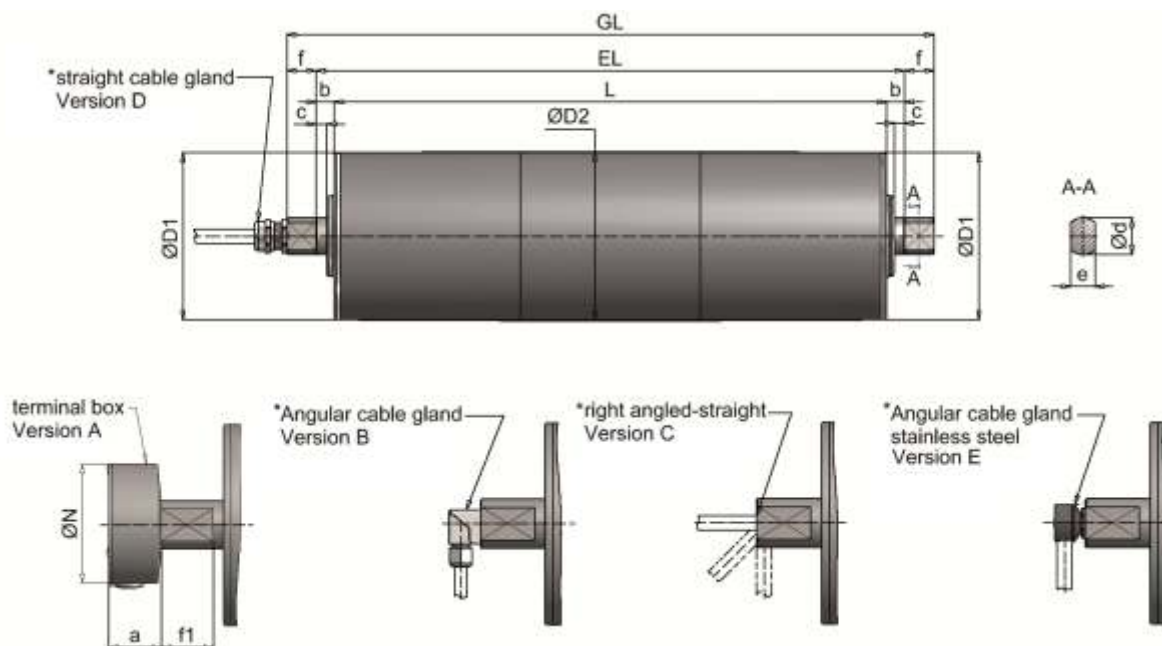
Axis160 Motorised Drum

General Features

- Diameter Ø160mm
- High duty helical gear unit with steel tothing
- Standard length from 320mm to 1350mm
- Three-phase motor or single-phase on request
- 90 Watt to 750 Watt input power
- Insulation class F
- Mild steel or stainless steel construction
- Lubricated with synthetic oil
- Straight, angular cable gland or terminal box connection
- Special options available



TM160 Dimensions



DRUM MOTOR											STANDARD IP65		OPTIONAL IP66	
Size	Type	ØD1*	ØD2**	a	ØN	c	Ød	e	f	f1	b	EL	b	EL
160	TM 160.0	160	161,5	43	100	2,5	40	30	44	44	8,5	L + 17	14,5	L + 29
GUIDE DRUM														
160	UT 160.0	160	161,5			2,5	40	30	44		8,5	L + 17	14,5	L + 29

* With 1m cable
 ** Diameter with cylindrical Drum Design
 *** Diameter by stainless steel ØD1=162,5, ØD2=163,5 ØD1=162,5, ØD2=163,5

AxisTM160 Motorised Drum

TM160 Performance Data

Type	POWER	BELT SPEED	ROTATION SPEED	BELT PULL	TORQUE	POWER INPUT AT 400V / 50Hz	DRUM LENGTH	WEIGHT
		v	n2	F	T2		L min.	L=400mm
	[kW]	[m/s]	[1/min]	[N]	[Nm]		[mm]	[kg]
TM160.0	0,09 8-pole	0,06	7	1618	131	0,50	320	30,0
		0,07	8	1283	104			
		0,09	11	989	80			
		0,11	14	784	63			
		0,14	16	648	52			
		0,18	21	508	41			
		0,23	27	396	32			
		0,29	34	310	25			
TM160.0	0,12 4-pole	0,12	14	1018	82	0,40	320	30,0
		0,15	18	807	65			
		0,19	23	623	50			
		0,24	29	493	40			
		0,29	35	408	33			
		0,38	44	320	26			
		0,48	57	249	20			
		0,61	73	195	16			
TM160.0	0,18 4-pole	0,12	14	1549	125	0,55	320	30,0
		0,15	17	1228	99			
		0,19	22	947	76			
		0,24	28	751	61			
		0,29	34	620	50			
		0,37	44	486	39			
		0,47	56	379	31			
		0,61	72	297	24			
TM160.0	0,25 4-pole	0,15	17	1718	139	0,80	320	31,0
		0,19	22	1325	107			
		0,24	28	1050	85			
		0,29	34	867	70			
		0,37	43	680	55			
		0,47	56	530	43			
		0,60	71	416	34			
TM160.0	0,37 4-pole	0,19	22	1947	157	1,10	320	31,0
		0,24	28	1543	125			
		0,29	34	1275	103			
		0,37	44	999	81			
		0,47	56	779	63			
		0,61	72	611	49			
TM160.0	0,55 4-pole	0,29	34	1929	156	1,60	320	31,5
		0,36	43	1512	122			
		0,47	55	1179	95			
		0,60	70	924	75			
TM160.0	0,75 2-pole	0,37	44	2009	162	1,90	320	32,0
		0,47	56	1592	129			
		0,57	67	1315	106			
		0,73	86	1031	83			
		0,93	110	804	65			
		1,19	141	630	51			

- alternative performance data and speeds on request
- indication of weight incl. oil filling (ready for operating)
- additional weight: approx. 3kg for 100mm add. length
- with brake mounting L min. dimension raises up 55mm

Axis160 Design & Options

Standard Configuration

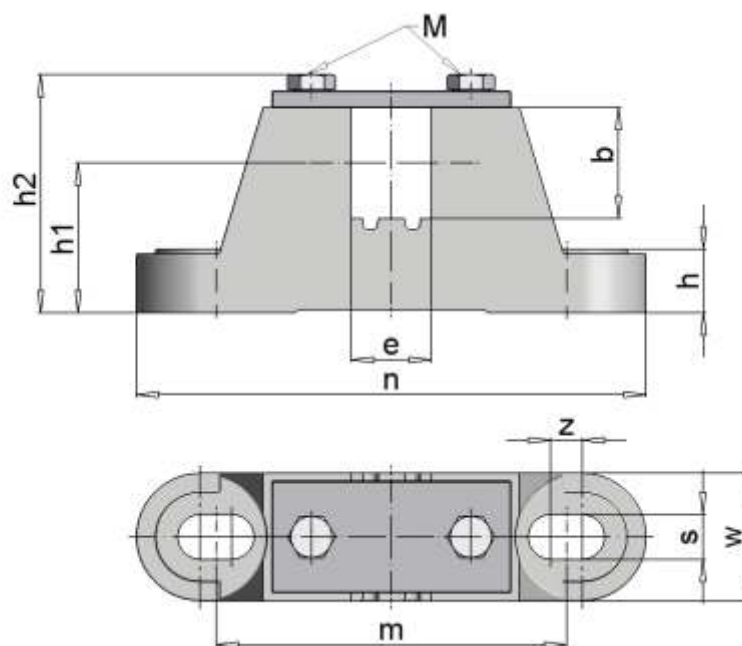
- Crowned shell, mild steel with rust protection paint
- Bearing covers made of aluminium
- Shafts made of mild steel with rust protection paint
- Helical gear unit with steel toothing (quiet)
- IP65 Protection rating
- Straight cable gland with 1m cable

Options

- Internal brake
- Terminal box connection
- Angular cable gland (with 1m cable)
- Angular cable gland stainless steel (with 1m cable)
- Right angled-straight cable gland (with 1m cable)
- Mechanical backstop
- Sprocket / toothed belt disc
- Sensor bearing unit (rotary encoder)
- Cylindrical drum shell, zinc coated (customised)
- Stainless steel design
- Thermal overload protection
- IP66 protection
- Suitable for frequency converter use
- For modular plastic conveyor belts and grooved rubber lagging
- Terminal box design in stainless steel
- Vertical mounting (should be stated in the order)
- Food-safe lubricant
- Single-phase motors on request

Alternative custom designs on request - please enquire.

TM160 Clamping Bearing



dimensions in mm

DRUM TYPE	CLAMPING BEARING	d	e	h	h1	h2	m	n	s	w	z	M	MATERIAL	ca. kg
160.0	EL40/30 A	40	30	20	47	78,5	110	160	14	40	10	M8	Cast Iron	1,5