

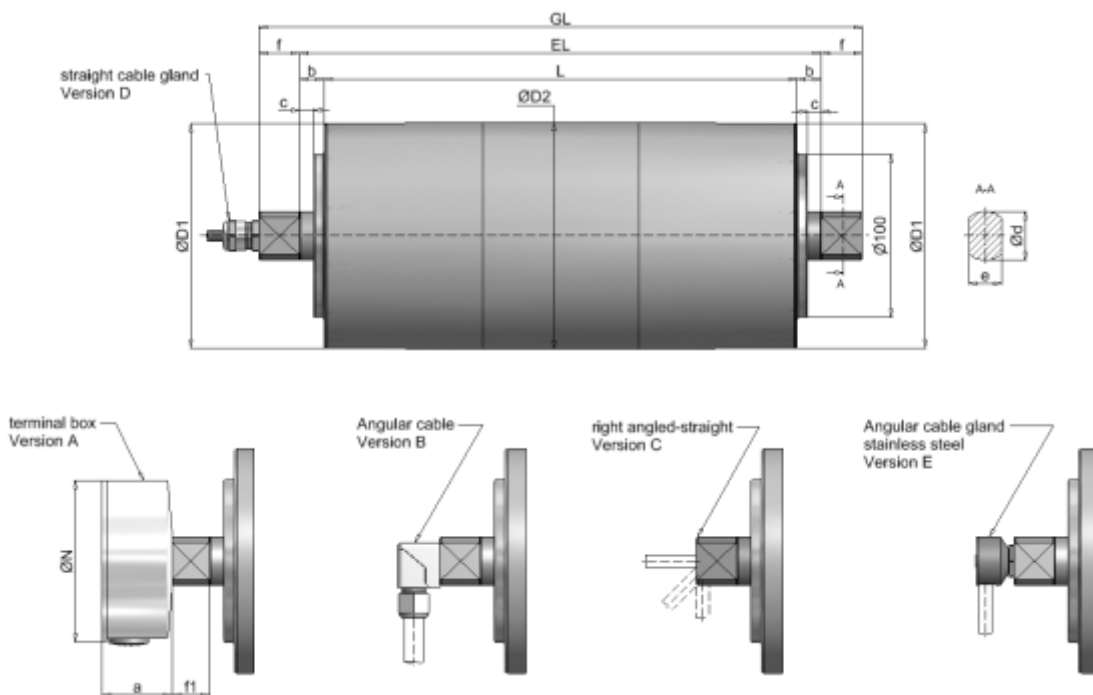
# AxisTM138 Motorised Drum

## General Features

- Diameter Ø138mm
- High duty helical gear unit with steel toothing
- Standard length from 300mm to 1350mm
- Three-phase motor or single-phase on request
- 90 Watt to 1000 Watt input power
- Insulation class F
- Mild or stainless steel construction
- Lubricated with synthetic oil
- Straight or angular cable gland or terminal box connection
- Special options available
- Quality European manufacture



## TM138 Dimensions



dimensions in mm

DRUM MOTOR											STANDARD IP66	
size	Typ	Ø D1	Ø D2**	a	Ø N	c	Ø d	e	f	f1	b	EL
138.1	TM 138.1	137	138,5	43	100	2,5	30	25	24	22	8,5	L + 17
138.0	TM 138.0	137	138,5	43	100	2,5	30	20	24	22	3	L + 6
GUIDE DRUM												
138.1	UT 138.1	137	138,5			2,5	30	25	24		8,5	L + 17
138.0	UT 138.1	137	138,5			2,5	30	20	24		3	L + 6

\* with 1m cable

\*\* diameter with cylindrical drum design 137mm

# AxisTM138 Motorised Drum

## TM138 Performance Data

Type	POWER	BELT SPEED	ROTATION SPEED	BELT PULL	TORQUE	POWER INPUT AT 400V / 50Hz	DRUM LENGTH	WEIGHT
		v	n2	F	T2		L min.	L=400mm
	[kW]	[m/s]	[1/min]	[N]	[Nm]		[A]	[mm]
TM138	0,09 12-pole	0,04	6	2218	153	0,82	300	15
		0,05	7	1797	124			
		0,06	8	1478	102			
		0,07	9	1362	94			
		0,08	10	1198	83			
		0,11	15	826	57			
		0,08	11	1093	75			
		0,1	14	908	63			
		0,12	17	728	50			
		0,16	23	550	38			
		0,15	21	591	41			
		0,19	26	479	33			
		0,25	34	363	25			
0,31	43	291	20					
0,41	57	220	15					
TM138	0,18 8-pole	0,07	9	2739	189	0,80	300	15
		0,08	11	2219	153			
		0,1	14	1826	126			
		0,11	15	1683	116			
		0,12	17	1480	102			
		0,13	18	1350	93			
		0,16	22	1122	77			
		0,18	24	1020	70			
		0,2	28	900	62			
		0,25	34	731	50			
		0,26	37	680	47			
		0,3	42	592	41			
		0,4	56	449	31			
0,5	69	360	25					
0,66	92	272	19					
TM138	0,25 6-pole	0,09	12	2782	192	0,85	300	15
		0,11	15	2254	156			
		0,13	19	1855	128			
		0,15	20	1709	118			
		0,17	23	1503	104			
		0,18	25	1371	95			
		0,22	30	1139	79			
		0,24	33	1036	71			
		0,27	38	914	63			
		0,34	47	742	51			
		0,36	50	691	48			
		0,42	58	601	41			
		0,55	76	456	31			
0,68	95	366	25					
0,91	125	276	19					

# AxisTM138 Motorised Drum

## TM138 Performance Data

Type	POWER	BELT SPEED	ROTATION SPEED	BELT PULL	TORQUE	POWER INPUT AT 400V / 50Hz	DRUM LENGTH	WEIGHT
		v	n2	F	T2		L min.	L=400mm
	[kW]	[m/s]	[1/min]	[N]	[Nm]		[A]	[mm]
TM138	0,25 4-pole	0,14	19	1848	128	0,80	300	15
		0,17	23	1497	103			
		0,2	28	1232	85			
		0,22	30	1135	78			
		0,25	35	998	69			
		0,27	38	911	63			
		0,33	46	757	52			
		0,35	50	688	47			
		0,41	57	607	42			
		0,51	70	493	34			
		0,55	75	459	32			
		0,63	87	399	28			
		0,83	114	303	21			
		1,03	143	243	17			
1,36	189	183	13					
TM138	0,37 4-pole	0,14	19	2735	189	1,10	300	15
		0,17	23	2216	153			
		0,2	28	1823	126			
		0,22	30	1680	116			
		0,25	35	1477	102			
		0,27	38	1348	93			
		0,33	46	1120	77			
		0,36	50	1018	70			
		0,41	57	898	62			
		0,51	70	729	50			
		0,55	75	679	47			
		0,63	87	591	41			
		0,83	114	448	31			
		1,03	143	359	25			
1,36	189	271	19					
TM138	0,55 4-pole	0,2	28	2740	189	1,60	300	15
		0,22	30	2525	174			
		0,25	34	2220	153			
		0,27	38	2025	140			
		0,33	45	1683	116			
		0,36	50	1530	106			
		0,41	56	1350	93			
		0,5	69	1096	76			
		0,54	75	1020	70			
		0,62	86	888	61			
		0,82	113	673	46			
		1,02	141	540	37			
		1,35	187	408	28			

# AxisTM138 Motorised Drum

## TM138 Performance Data

Type	POWER	BELT SPEED	ROTATION SPEED	BELT PULL	TORQUE	POWER INPUT AT 400V / 50Hz	DRUM LENGTH	WEIGHT
		v	n2	F	T2		L min.	L=400mm
	[kW]	[m/s]	[1/min]	[N]	[Nm]		[mm]	[kg]
TM138	0,75 4-pole	0,32	44	2338	161	2,20	300	15
		0,35	49	2125	147			
		0,4	55	1875	129			
		0,49	68	1522	105			
		0,53	73	1417	98			
		0,61	84	1233	85			
		0,8	111	935	65			
		1	138	750	52			
	1,32	183	566	39				
TM138	0,75 2-pole	0,27	37	2802	193	1,90	300	15
		0,33	46	2270	157			
		0,4	56	1868	129			
		0,44	60	1721	119			
		0,5	69	1513	104			
		0,54	75	1381	95			
		0,65	90	1148	79			
		0,72	99	1043	72			
		0,81	113	920	64			
		1	139	747	52			
		1,08	149	696	48			
		1,24	171	605	42			
		1,63	226	459	32			
		2,04	282	368	25			
	2,7	373	278	19				
TM138	0,90 2-pole	0,33	46	2695	186	1,95	300	15
		0,41	56	2218	153			
		0,44	61	2044	141			
		0,5	69	1797	124			
		0,55	76	1639	113			
		0,66	91	1362	94			
		0,73	101	1239	85			
		0,82	114	1093	75			
		1,01	140	887	61			
		1,09	151	826	57			
		1,25	173	719	50			
		1,65	229	545	38			
		2,06	285	437	30			
			2,73	377	330			
TM138	1,00 4-pole	0,32	45	2795	193	2,6	360	15
		0,35	49	2541	175			
		0,4	56	2241	155			
		0,49	68	1820	126			
		0,53	74	1694	117			
		0,61	85	1474	102			
		0,81	111	1118	77			
		1	139	897	62			
	1,33	184	677	47				

- alternative performance data and speeds on request
- indication of weight incl. oil filling (ready for operating)
- additional weight: approx. 2kg for 100mm add. length
- with brake mounting L min. dimension raises up 100mm

# AxisTM138 Design & Options

## Standard Configuration

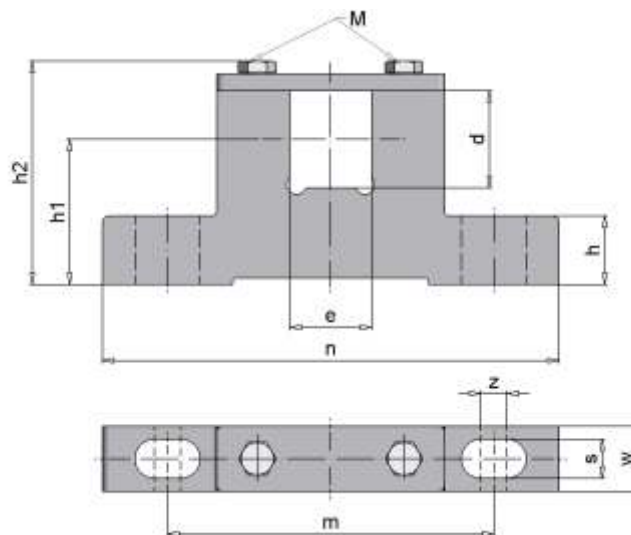
- Crowned shell, mild steel with rust protection paint
- Bearing covers made of aluminium
- Shafts made of mild steel with rust protection paint
- Helical gear unit with steel toothing (quiet)
- IP66 Protection rating
- Straight cable gland with 1m cable

## Options

- Internal brake
- Terminal box connection
- Angular cable gland (with 1m cable)
- Angular cable gland stainless steel (with 1m cable)
- Right angled-straight cable gland (with 1m cable)
- Mechanical backstop
- Sprocket / toothed belt disc
- Sensor bearing unit (rotary encoder)
- Cylindrical drum shell, coated, zinc plated
- Stainless steel design
- Thermal overload protection
- IP67 Protection
- Suitable for frequency converter use
- For modular plastic conveyor belts and grooved rubber lagging
- Terminal box design in stainless steel
- Vertical mounting (should be stated in the order)
- Food-safe lubricant
- Single-phase motors on request

Alternative custom designs also available - please enquire.

## TM138 Clamping Bearing



dimensions in mm

DRUM TYPE	CLAMPING BEARING	d	e	h	h1	h2	m	n	s	w	z	M	Material	KG
TM138.1	EL30/20	30	20	21	44,5	68,5	100	140	12	24	8	M6	Steel	0,7